



ITT | Flygt

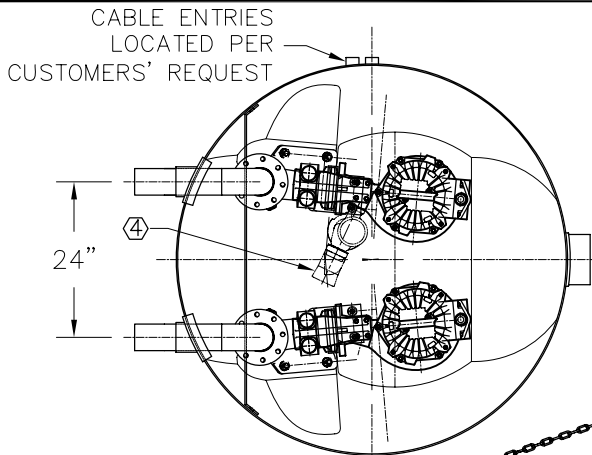
# TOP 5 (Duplex Station)

(Fiberglass Station - 3068 thru 3153)

TOP Pump Station

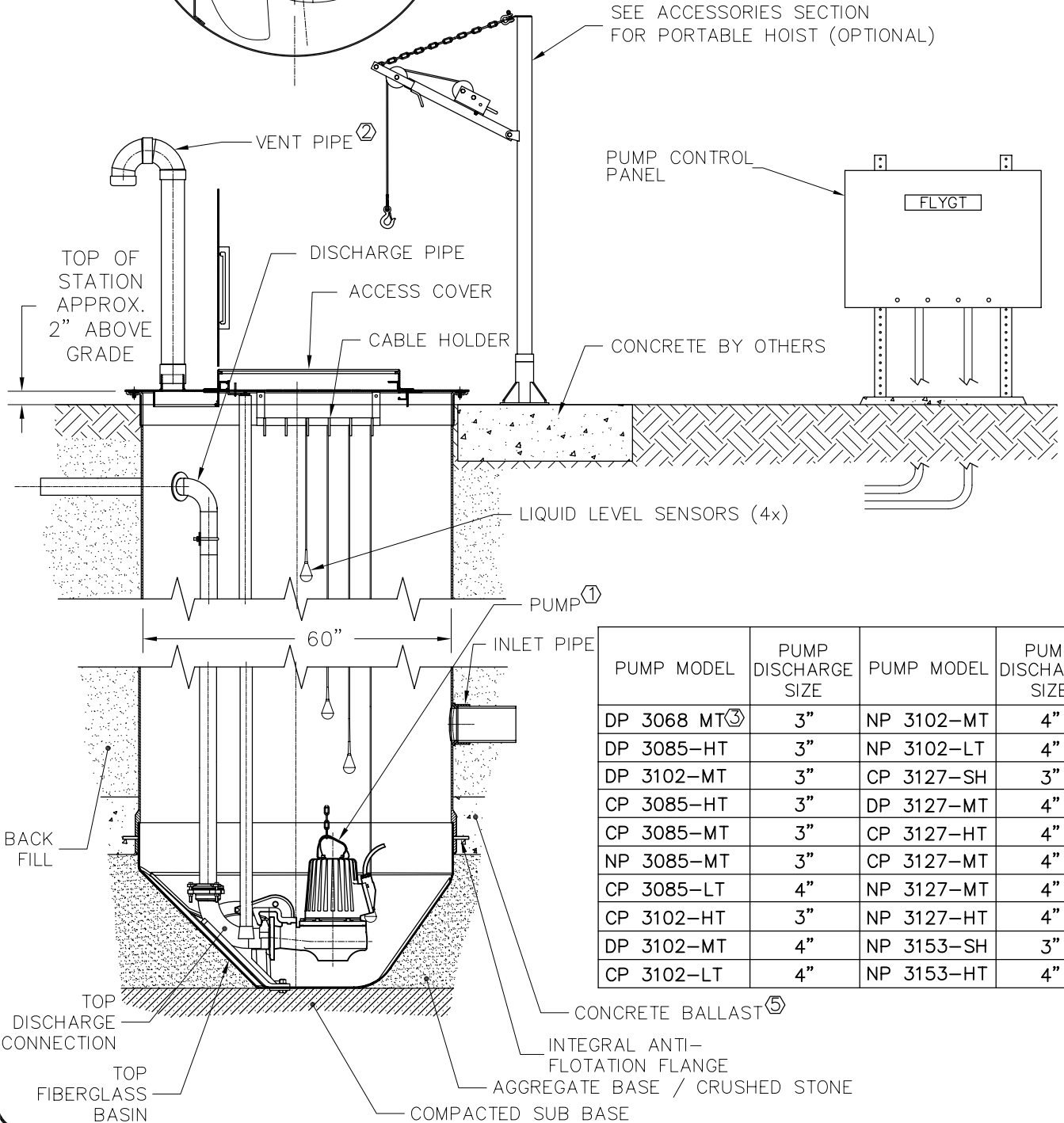
Issued: 10/07

Supersedes: 08/07



NOTE:

1. PUMPS AND CONTROLS ARE NOT SUPPLIED WITH THE TOP PUMP STATION AND MUST BE ORDERED SEPARATELY.
2. PUMP STATION WITH TWO (2) VENT PIPES IS AN AVAILABLE OPTION.
3. IMPELLERS 47x ONLY.
4. MIX FLUSH VALVE MUST BE LOCATED BETWEEN PUMPS.
5. REFER TO INSTALLATION, CARE AND MAINTENANCE MANUAL FOR BALLAST REQUIREMENTS.



PUMP MODEL	PUMP DISCHARGE SIZE	PUMP MODEL	PUMP DISCHARGE SIZE
DP 3068 MT ③	3"	NP 3102-MT	4"
DP 3085-HT	3"	NP 3102-LT	4"
DP 3102-MT	3"	CP 3127-SH	3"
CP 3085-HT	3"	DP 3127-MT	4"
CP 3085-MT	3"	CP 3127-HT	4"
NP 3085-MT	3"	CP 3127-MT	4"
CP 3085-LT	4"	NP 3127-MT	4"
CP 3102-HT	3"	NP 3127-HT	4"
DP 3102-MT	4"	NP 3153-SH	3"
CP 3102-LT	4"	NP 3153-HT	4"