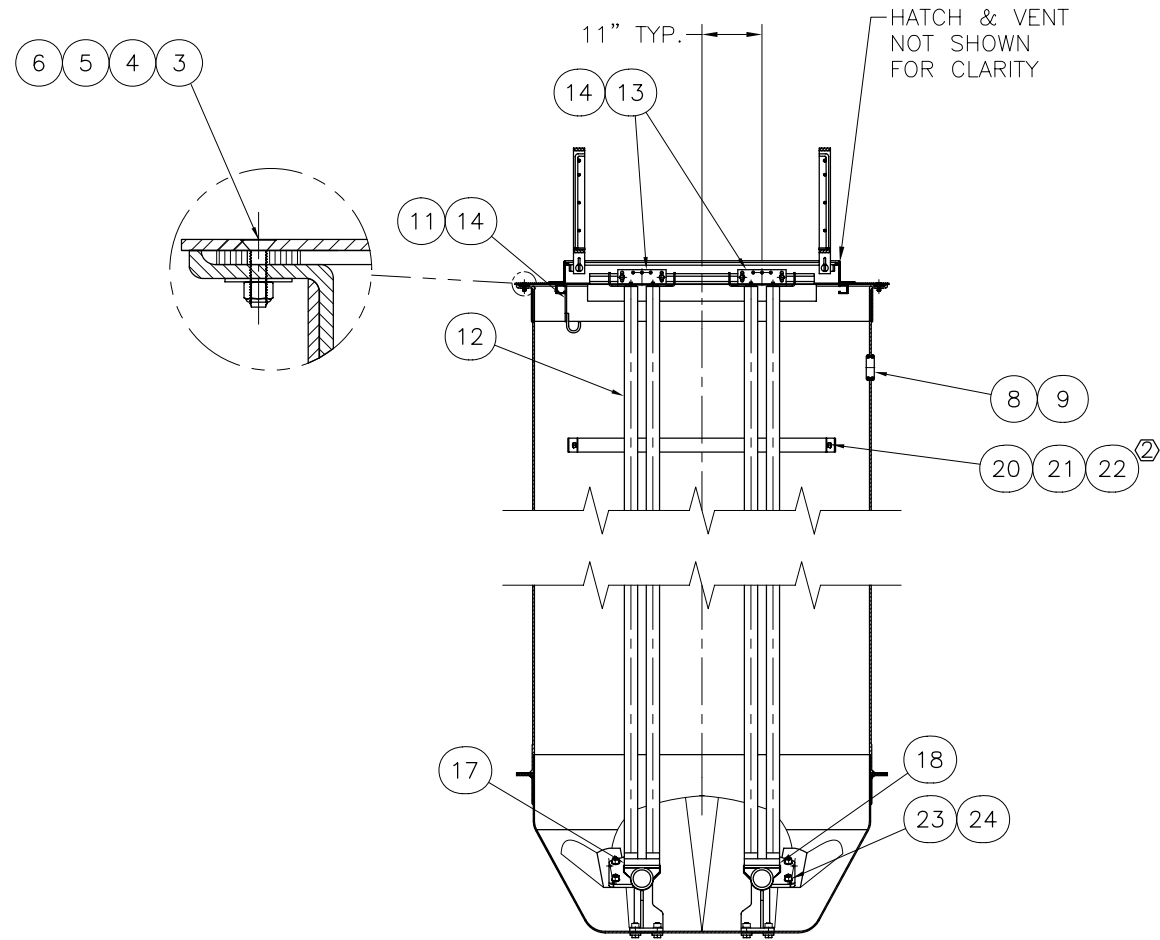


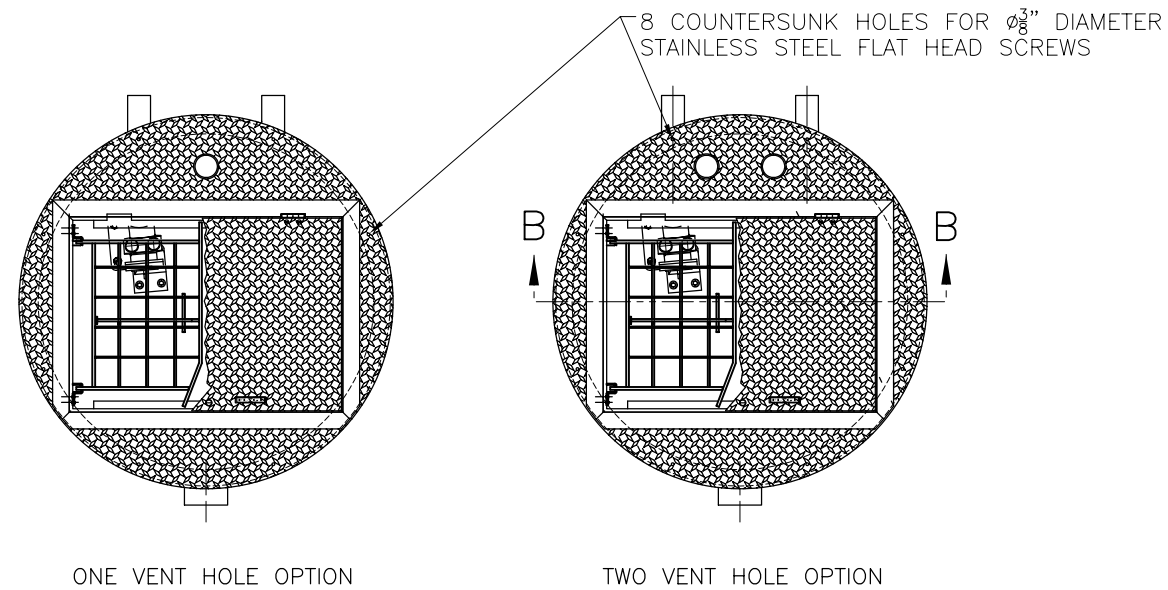
NOTES:

1. STATION DEPTH: MIN 5ft, MAX 20ft. AVAILABLE IN 1ft INCREMENTS.
2. ALL BOLT PENETRATIONS THRU WALLS MUST BE SEALED WITH SILICONE SEALANT.
3. SEE 14-68 22 57 FOR DISCHARGE PIPING DETAILS.



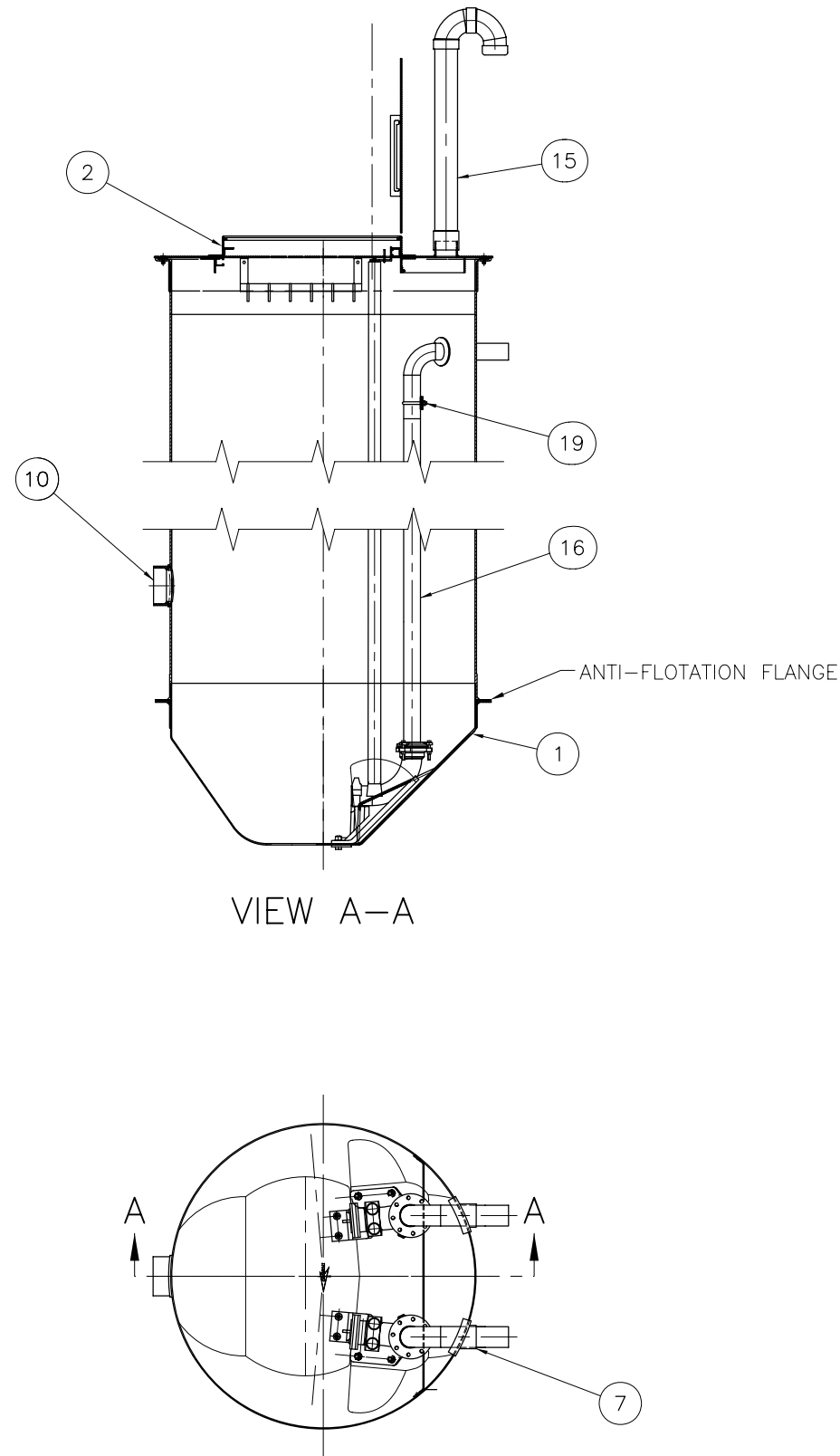
VIEW B-B

VIEW A-A



ONE VENT HOLE OPTION

TWO VENT HOLE OPTION



* 2x For Stations 12' Or More Deep

ITEM	DESCRIPTION	PART NUMBER	QTY
24	WASHER, 1/8" ID, 1/2" OD, GENERAL PURPOSE, 316 SST		8
23	NUT, 3/8"-10, 316 SST		8
22	WASHER, 5/8" ID, 1 1/8" OD, GENERAL PURPOSE, 316 SST		2
21	NUT, 1/2"-13, 316 SST		2
20	BOLT, HEX HEAD, 1/2"-13 x 1 1/2, 316 SST		2
* 19	BRACE, DISCHARGE PIPE, 5', ALT. B	14-682159	1
18	DISCHARGE CONNECTION, RIGHT, 4"	620 01 10	1
	DISCHARGE CONNECTION, RIGHT, 3"	619 99 10	
17	DISCHARGE CONNECTION, LEFT, 4"	620 02 10	1
	DISCHARGE CONNECTION, LEFT, 3"	620 00 10	
16	PIPE, FLANGED, 4", DUCTILE IRON	SP-DPDPF7	ft (2x)
	PIPE, FLANGED, 3", DUCTILE IRON	SP-DDIPFM	
	PIPE, SCH 10, 4" 316 SST		
	PIPE, SCH 10, 3" 316 SST		
	PIPE, SCH 80, 4", PVC	P80PP	
	PIPE, SCH 80, 3", PVC	P80PM	
15	VENT PIPE, 4"	14-682202	1-2
14	MOUNTING HARDWARE, UPPER GUIDE BAR BRACKET	14-590000	3
13	UPPER GUIDE BAR BRACKET, 2"	613 68 04	2
12	GUIDE BAR, 2", 316 SST		ft
	GUIDE BAR, 2", GALVS		(4x)
11	CABLE HANGER, 6 HOOKS	F-CH-316SS-HD	1
10	CAULKING HUB, 8" CAST IRON (INLET)	CIH8x3660	1
	CAULKING HUB, 6" CAST IRON (INLET)	CIH6x3660	
	CAULKING HUB, 4" CAST IRON (INLET)	CIH4x3660	
	BOOT, FLEXIBLE ENTRY, 6" (INLET)	FEB-8600	
	BOOT, FLEXIBLE ENTRY, 4" (INLET)	FEB-7400	
9	SEAL, CABLE WALL, PUMP		1
8	SEAL, CABLE WALL, LEVEL SENSOR	1860SCF125P	1
7	BOOT, FLEXIBLE ENTRY, 4" (DISCHARGE)	FEB-7400	2
	BOOT, FLEXIBLE ENTRY, 3" (DISCHARGE)	FEB-6300	
6	SPACER, 1/2" ID, 1 1/8" OD, 1/8" THICK, PE		8
5	WASHER, 5/8" ID, 1 1/2" OD, 1/8" THICK, 316 SST		8
4	NUT, 3/8"-16, 316 SST		8
3	SCREW, FLATHEAD, 82', 3/8"-16 x 1 1/2, 316 SST		8
2	COVER, 2 VENT, 5', (OPTIONAL)	FBC-31X42AOSH-60-2	1
	COVER, 1 VENT, 5', (STANDARD)	FBC-31X42AOSH-60-1	
1	BASIN/CYLINDER ASSEMBLY, 5'		1

UNLESS OTHERWISE NOTED:

MACHINE TOLERANCE ON:

WHOLE AND FRACTIONS	± 1/32
1 PLACE DEC.	± 0.1
2 PLACE DEC.	± 0.02
3 PLACE DEC.	± 0.005
ANGLES	± 0.15°

FABRICATION TOLERANCE ON:

UP TO 12"	± 1/32
OVER 12" TO 48"	± 1/16
OVER 48" TO 120"	± 1/8
OVER 120"	± 3/16
ANGLES	± 0.5°

FLYGT
ITT FLYGT CORPORATION
TRUMBULL, CONNECTICUT 06611

THIS DOCUMENT IS THE PROPRIETARY PROPERTY OF ITT FLYGT CORP. IT HAS BEEN FURNISHED UPON THE CONDITION THAT IT SHALL NOT BE RELEASED, DUPLICATED, USED, OR DISCLOSED IN WHOLE OR IN PART FOR ANY PURPOSE WITHOUT THE EXPRESS WRITTEN PERMISSION OF ITT FLYGT AND SHALL BE CONSIDERED CONFIDENTIAL INFORMATION.

SHEET 1 OF 1

**TOP 5 PRE-FAB
PUMP STATION ASSY.**

CAD DRAWING (D)

NO.	REVISION	BY	DATE	APVD.	DATE	APVD.	DATE	BY	DATE	APVD.	DATE	SCALE PLOT TO FIT	NUMBER	REV.
								RD	10/05/2007				14-68 21 54	-